

Deep Woods TimberFramed Structures

Timber Materials List

Project: **Laurel Highlands Farm**

Created on: 07/27/2009

Named Timbers

Name	W	D	L(ft)	L(in)	BF	SHOP DRAWING
Rafter 1A	6	12	22	228	132.00	SD-01
Rafter 1B	6	12	22	228	132.00	SD-01
Rafter 5A	6	12	22	228	132.00	SD-01
Rafter 5B	6	12	22	228	132.00	SD-01
Rafter 2B	6	12	22	228	132.00	SD-02
Rafter 3B	6	12	22	228	132.00	SD-02
Rafter 4B	6	12	22	228	132.00	SD-02
Rafter 2A	6	12	22	228	132.00	SD-03
Rafter 3A	6	12	22	224	132.00	SD-04
Rafter 4A	6	12	22	228	132.00	SD-05
Bottom Chord 1	6	12	18	188	108.00	SD-06
Bottom Chord 2	6	12	18	188	108.00	SD-06
Bottom Chord 3	6	12	18	188	108.00	SD-06
Bottom Chord 4	6	12	18	188	108.00	SD-06
Bottom Chord 5	6	12	18	188	108.00	SD-06
Header 3	6	12	14	139	84.00	SD-07
Strut 1A	4	8	8	63	21.33	SD-08
Strut 1B	4	8	8	63	21.33	SD-08
Strut 2A	4	8	8	63	21.33	SD-08
Strut 2B	4	8	8	63	21.33	SD-08
Strut 3A	4	8	8	63	21.33	SD-08
Strut 3B	4	8	8	63	21.33	SD-08
Strut 4A	4	8	8	63	21.33	SD-08
Strut 4B	4	8	8	63	21.33	SD-08
Strut 5A	4	8	8	63	21.33	SD-08
Strut 5B	4	8	8	63	21.33	SD-08
Kingpost 1	6	10	14	134	70.00	SD-09
Kingpost 5	6	10	14	134	70.00	SD-09

Kingpost 2	6	10	14	134	70.00	SD-10
Kingpost 3	6	10	14	134	70.00	SD-10
Kingpost 4	6	10	14	134	70.00	SD-10
Ridge Beam 1	6	12	8	59	48.00	SD-11
Ridge Beam 2	6	12	8	67	48.00	SD-12
Ridge Beam 3	6	12	8	67	48.00	SD-12
Ridge Beam 4	6	12	8	59	48.00	SD-13
Spline 1	2	6	4	13	4.00	SD-14
Spline 2	2	6	6	30	6.00	SD-14
Spline 3	2	6	6	30	6.00	SD-14
Spline 4	2	6	6	30	6.00	SD-14
Spline 5	2	6	4	13	4.00	SD-14
Cross Brace A	6	12	12	114	72.00	SD-15
Cross Brace B	6	12	12	114	72.00	SD-15
Rafter Gable 2A	6	12	8	62	48.00	SD-16
Rafter Gable 4A	6	12	8	62	48.00	SD-16
Rafter Gable 2B	6	12	8	59	48.00	SD-17
Rafter Gable 4B	6	12	8	59	48.00	SD-17
Gable Valley Rafter 2	6	12	8	52	48.00	SD-18
Gable Valley Rafter 4	6	12	8	52	48.00	SD-18
<i>Total</i>	<i>48</i>				<i>3157.33</i>	

Construction notes:

FF to main timber bearing 13'-6"

FF to top of bott. chord 18'-7 3/4"

FF to gable timber bearing 15'-0"

Main Timber Fame - (5) Bents

(4) Ridge Beams 6x12 (lengths vary)

(3) Long Splines 1 3/4"x5 1/2"

(2) Short Splines 1 3/4"x5 1/2"

(1) Header 6x12

Each Bent

(2) Rafters 6x12

(1) Bottom Chord 6x12

(2) Struts 4x8

(1) Kingpost 6x10

Gable Timber Frame - (2) Bents

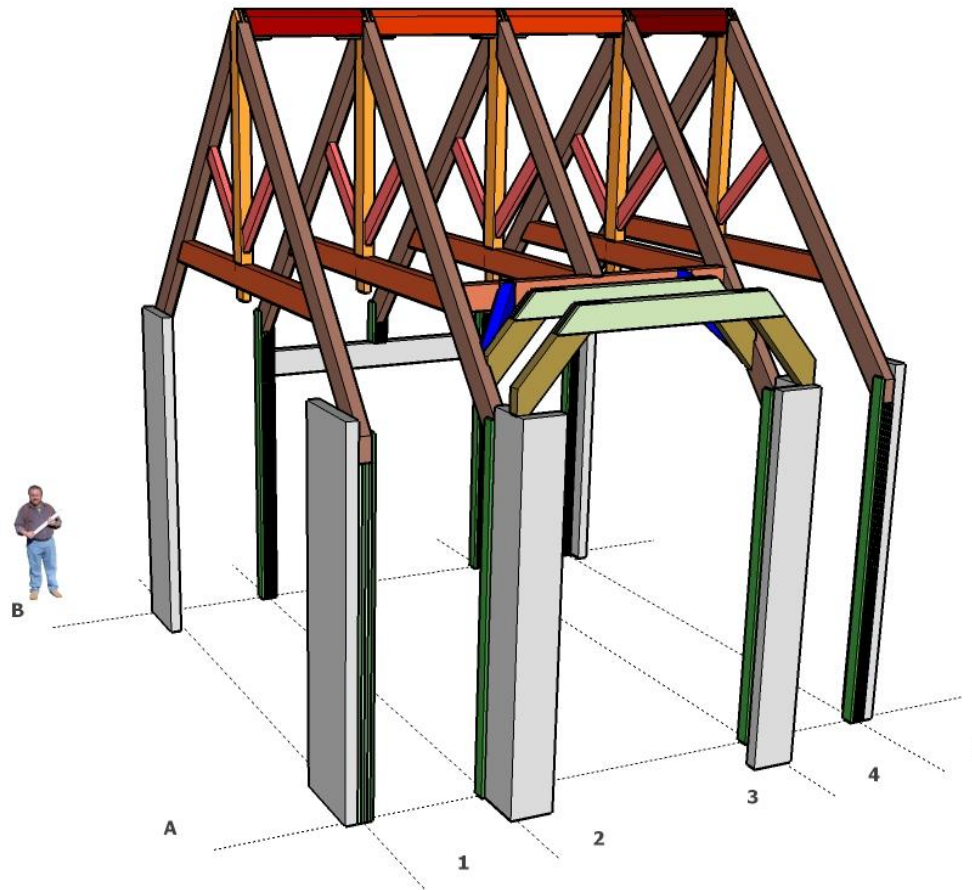
(2) Gable Valley Rafters 6x12

Each Bent

(2) Rafters 6x12

(1) Cross Brace 6x12

Total Pieces (48)



Construction notes:

FF to main timber bearing 13'-6"
FF to top of bott. chord 18'-7 3/4"
FF to gable timber bearing 15'-0"

Main Timber Frame - (5) Bents

- (4) Ridge Beams 6x12 (lengths vary)
- (3) Long Splines 1 3/4"x5 1/2"
- (2) Short Splines 1 3/4"x5 1/2"
- (1) Header 6x12

Each Bent

- (2) Rafters 6x12
- (1) Bottom Chord 6x12
- (2) Struts 4x8
- (1) Kingpost 6x10

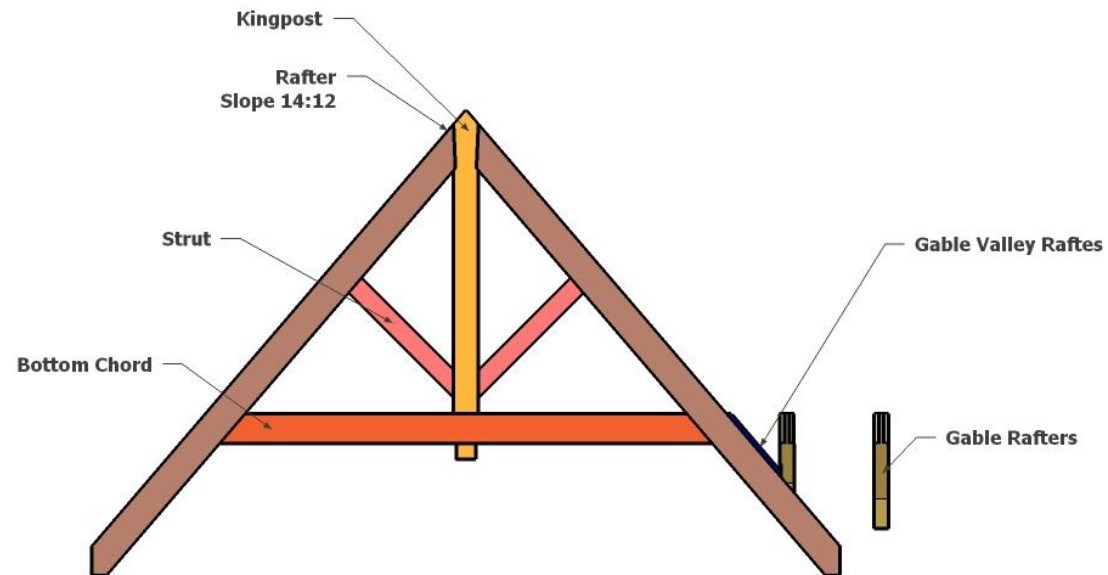
Gable Timber Frame - (2) Bents

- (2) Gable Valley Rafters 6x12

Each Bent

- (2) Rafters 6x12
- (1) Cross Brace 6x12

Total Pieces (48)



Construction notes:

FF to main timber bearing 13'-6"
FF to top of bott. chord 18'-7 3/4"
FF to gable timber bearing 15'-0"

Main Timber Fame - (5) Bents

(4) Ridge Beams 6x12 (lengths vary)
(3) Long Splines 1 3/4"x5 1/2"
(2) Short Splines 1 3/4"x5 1/2"
(1) Header 6x12

Each Bent

(2) Rafters 6x12
(1) Bottom Chord 6x12
(2) Struts 4x8
(1) Kingpost 6x10

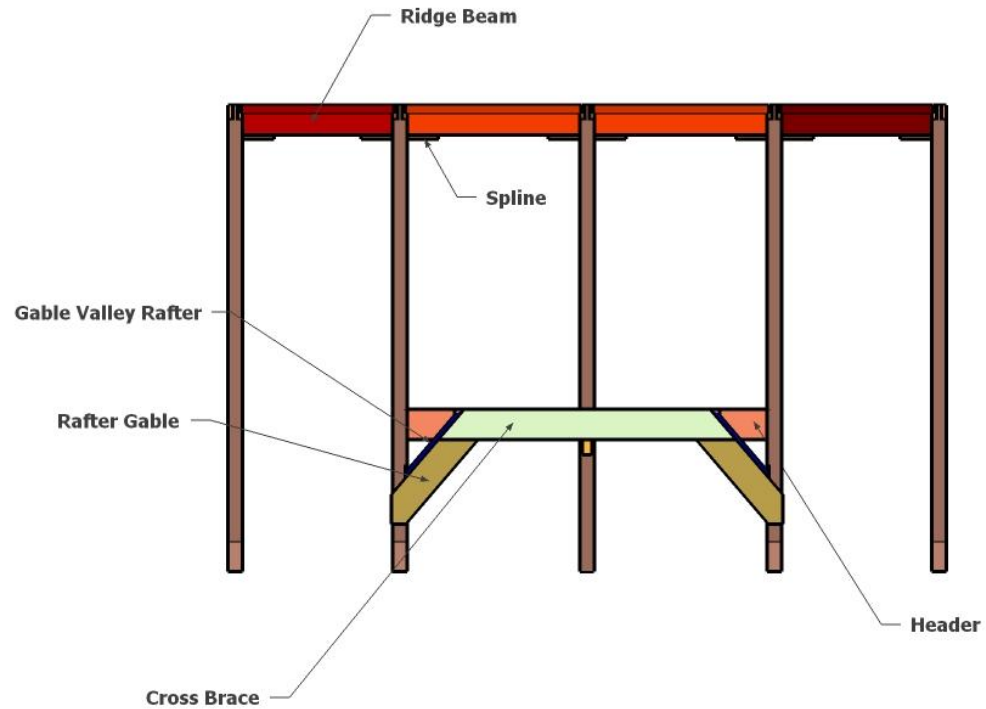
Gable Timber Frame - (2) Bents

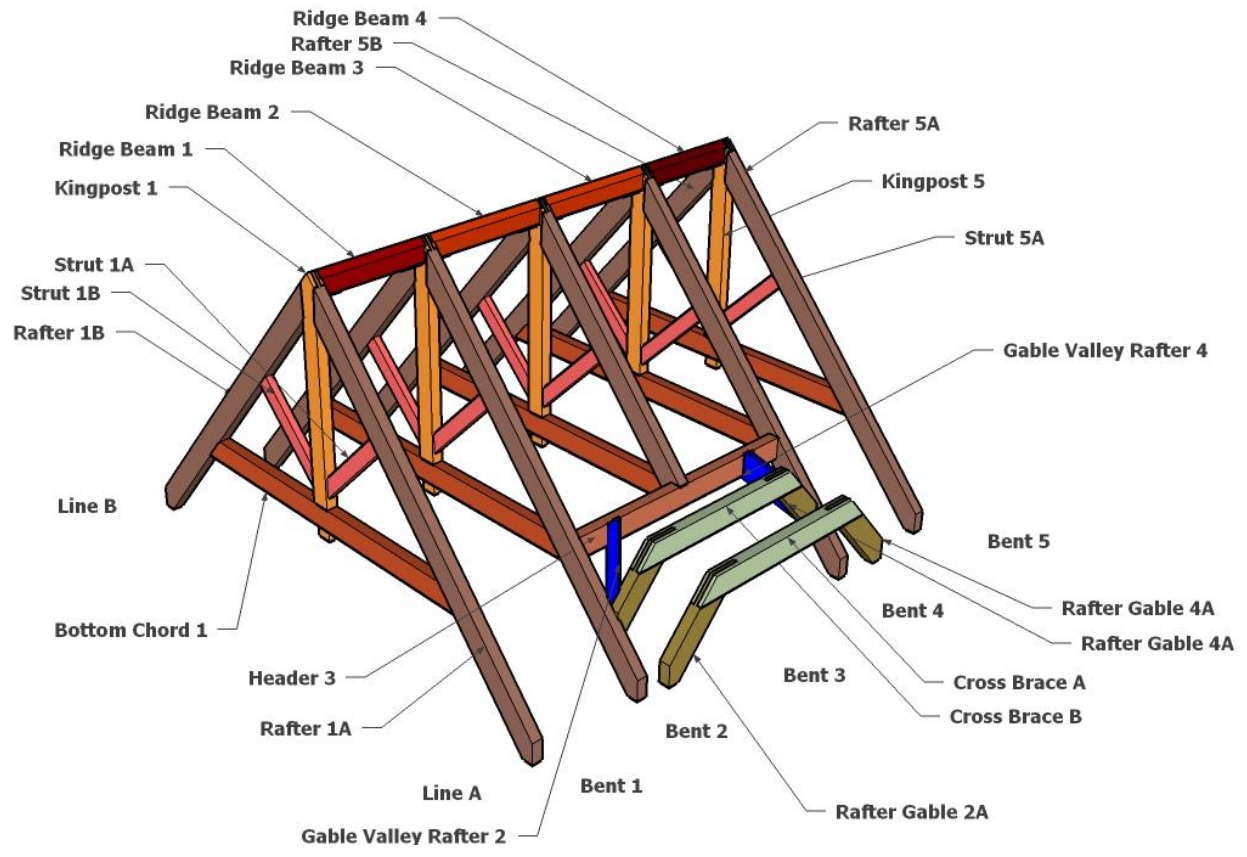
(2) Gable Valley Rafters 6x12

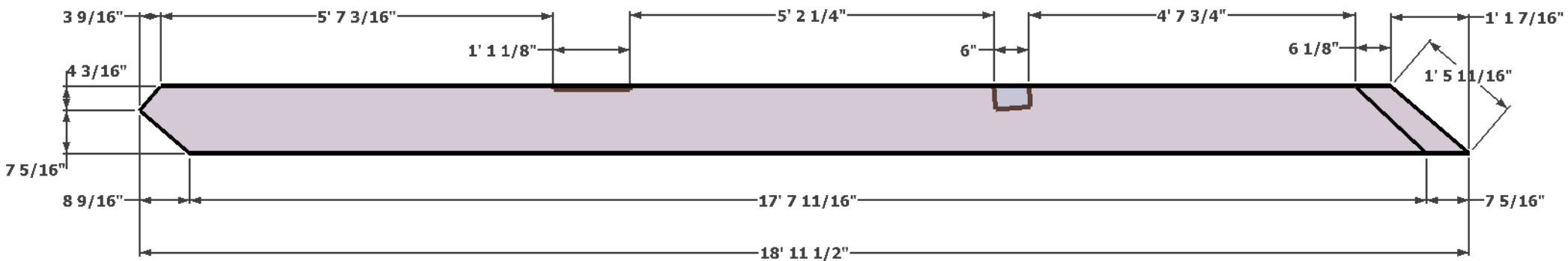
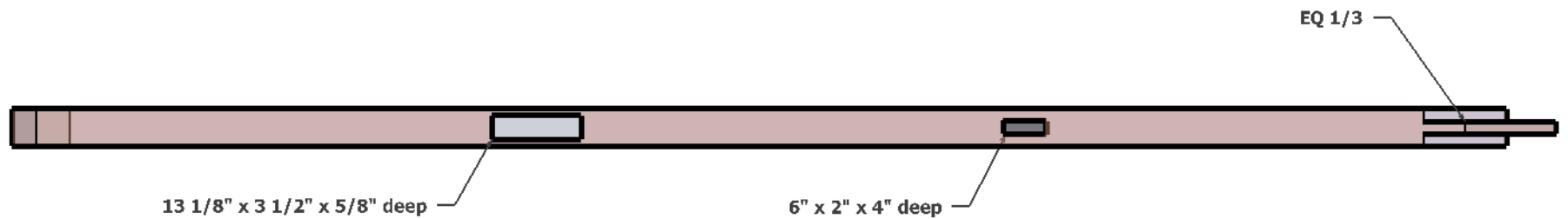
Each Bent

(2) Rafters 6x12
(1) Cross Brace 6x12

Total Pieces (48)

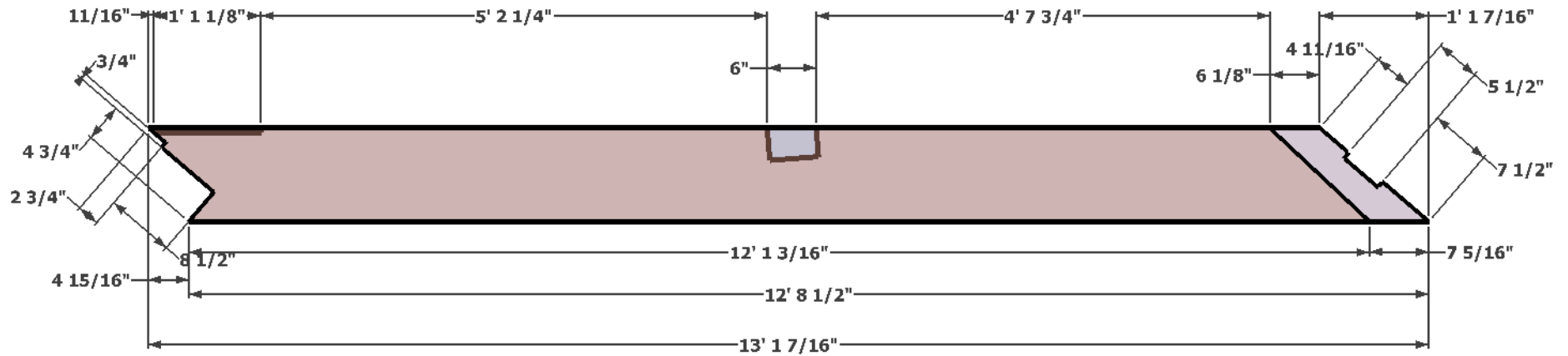
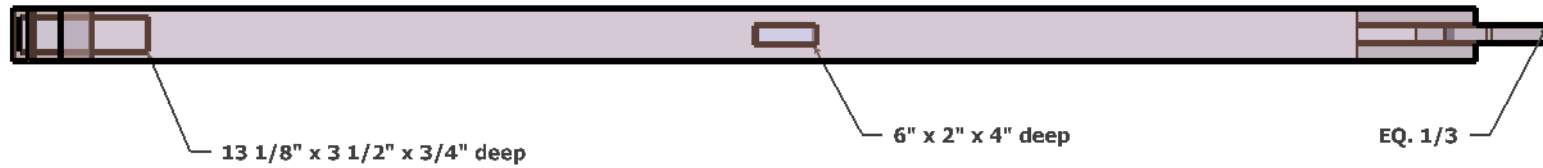






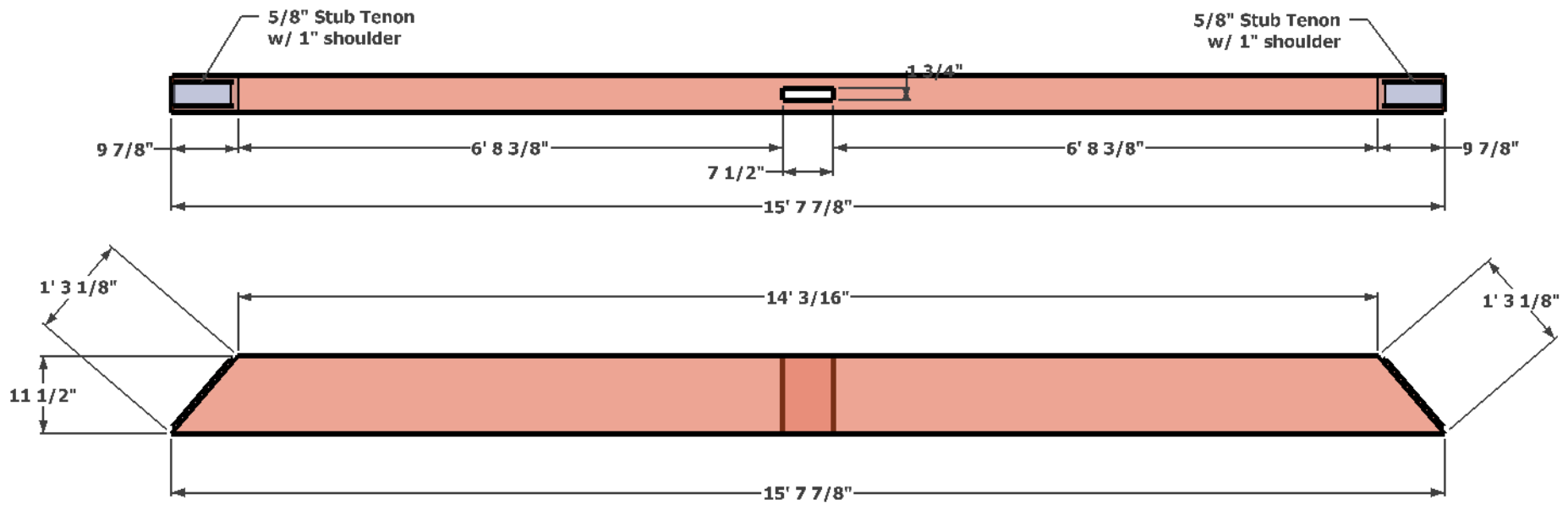
SD-01

Deep Woods TimberFramed Structures
 Project: Laurel Highlands Farm
 Timber: Rafter 1A, 1B, 5A, 5B (4 Total) - 6 x 12 x 22
 Created on: 07/26/2009



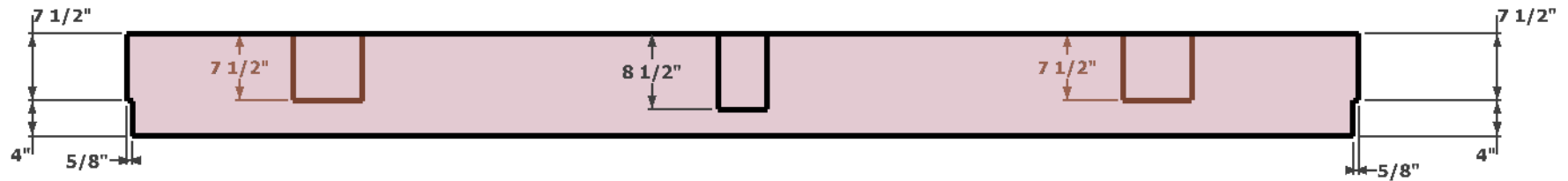
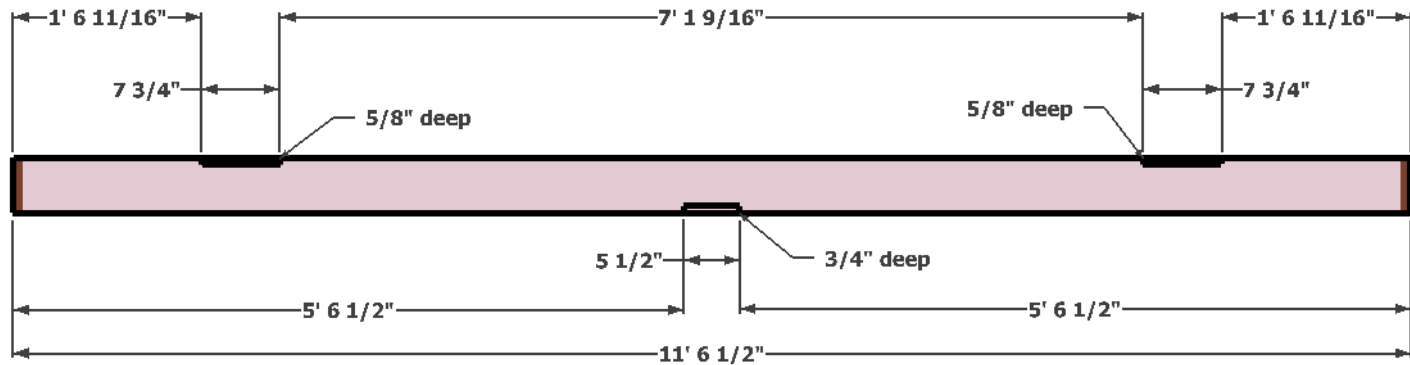
SD-04

Deep Woods TimberFramed Structures
 Project: Laurel Highlands Farm
 Timber: Rafter 3A (1 Total)- 6 x 12 x 22
 Created on: 07/26/2009



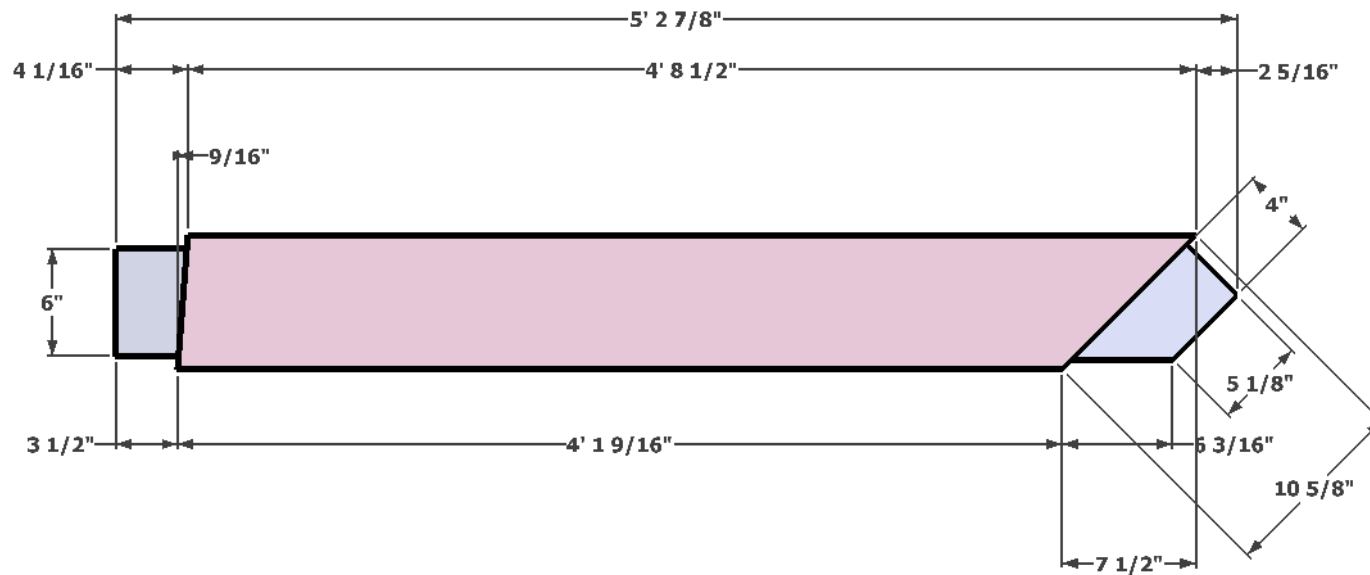
SD-06

Deep Woods TimberFramed Structures
 Project: Laurel Highlands Farm
 Timber: Bottom Chord 1 thru 5 (5 pieces) - 6 x 12 x 18
 Created on: 07/27/2009



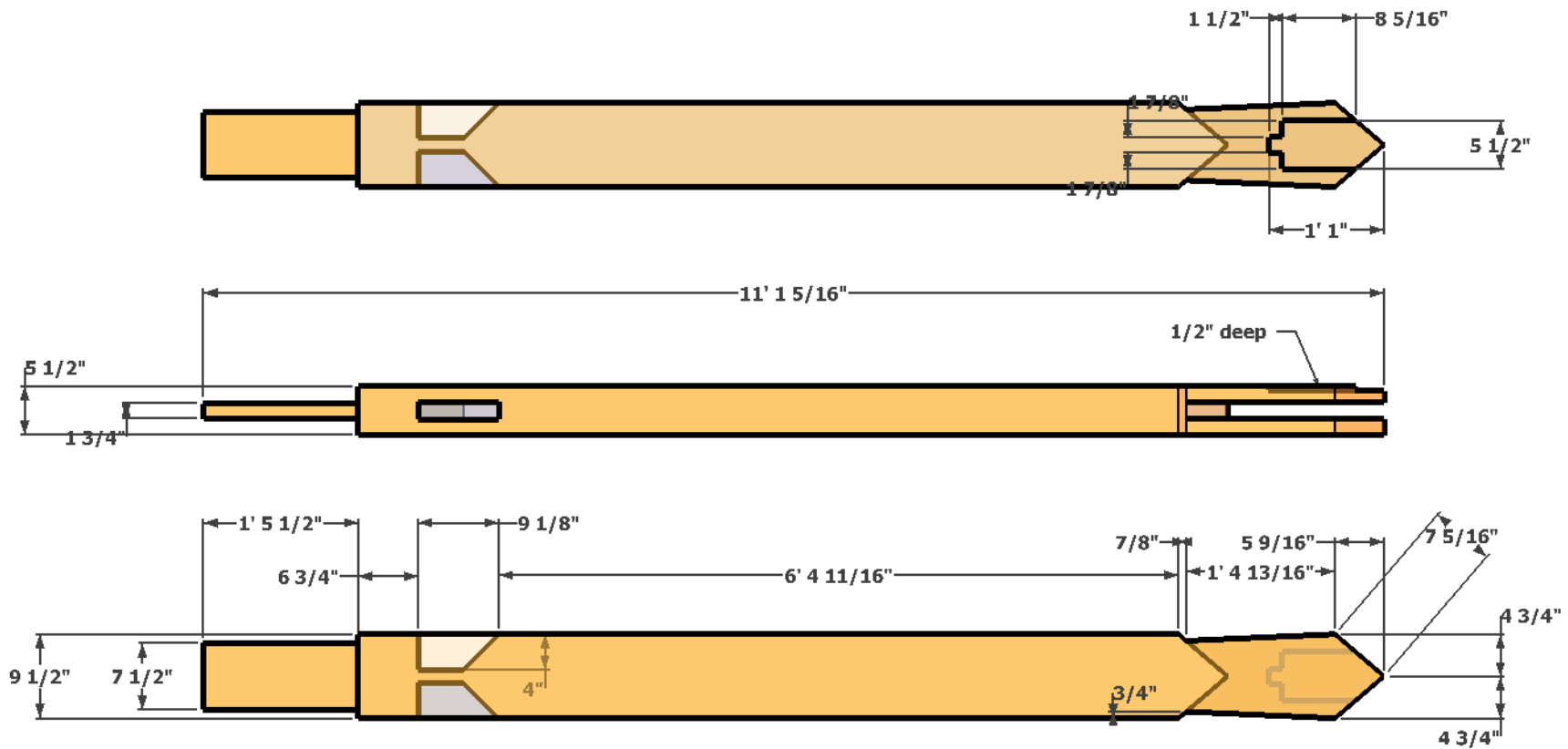
SD-07

Deep Woods TimberFramed Structures
 Project: Laurel Highlands Farm
 Timber: Header 3 (1Total)- 6 x 12 x 14
 Created on: 07/27/2009



SD-08

Deep Woods TimberFramed Structures
 Project: Laurel Highlands Farm
 Timber: Strut, All (10 Total) - 4 x 8 x 8
 Created on: 07/26/2009



SD-09

Deep Woods TimberFramed Structures
 Project: Laurel Highlands Farm
 Timber: Kingpost 1, 5 (2 Total) - 6 x 10 x 14
 Created on: 07/27/2009