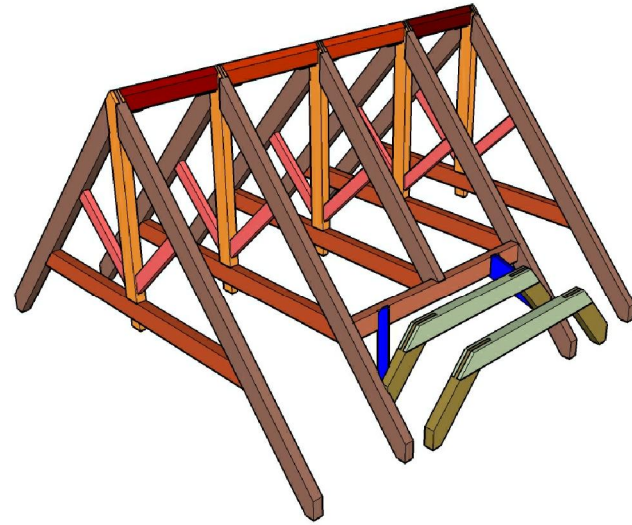


SHEET INDEX

- TF-1 TIMBER FRAME NOTES AND SPECIFICATIONS
- TF-2 TIMBER FRAME PLANS AND DETAILS
- TF-3 MAIN RAFTER CONNECTION DETAILS
- TF-4 GABLE RAFTER CONNECTION DETAILS



GENERAL NOTES

TIMBER FRAME SYSTEM (HEAVY TIMBERS)

TIMBER SYSTEM: RIDGE BEAM IS LOAD-BEARING. RAFTERS ARE NON LOAD-BEARING SELF SUPPORTING. TIMBERS BELOW RAFTERS ARE NON LOAD-BEARING, SUSPENDED.
 DESIGN CRITERIA: ASCE 7-05 AND NF&PA NDS 2005

DESIGN LOADS:

- DESIGN WIND SPEED: 90 MPH
- GROUND SNOW LOAD: 25 PSF ADJUSTED FOR SLOPE AND DRIFT
- ROOF LIVE LOAD: 25 PSF ASJUSTED FOR SLOPE
- ROOF DEAD LOAD: 20 PSF ON SLOPE PLUS WEIGHT OF TIMBER

SPECIES: DOUGLAS FIR, (N), SELECT STRUCTURAL

SIZES: AS NOTED ON THE FOLLOWING SHEETS

JOINERY: AS NOTED ON THE FOLLOWING SHEETS

CONNECTORS:

SCREWS: SHALL BE 'RSS' (ROUGH STRUCTURAL SCREWS) BY GRK FASTENERS, OR EQUAL SCREWS SHALL BE WASHER-HEADED, 5/16" DIAMETER UP TO 6" LONG AND 3/8" DIAMETER FROM 7 1/4" LONG TO 16" LONG. SCREWS UP TO 8" LONG SHALL PENETRATE A MINIMUM OF 5" IN RECEIVING TIMBER. SCREWS 10" TO 16" LONG SHALL PENETRATE A MINIMUM OF 5" IN RECEIVING TIMBER. SCREWS SHALL HAVE A MINIMUM TENSILE STRENGTH OF 139,000 PSI AND BENDING YIELD MOMENTS OF 159,000 PSI FOR 5/16" SCREWS AND 177,000 PSI FOR 3/8" SCREWS. SCREWS SHALL BE INSTALLED IN COUNTER-BORED HOLES TO CLEAR THE HEAD AND ALLOW APPROXIMATELY 3/4" FOR PLUGGING. SEE WWW.GRKFASTENERS.COM FOR ADDITIONAL INFORMATION.

PEGS: 1" THICK DIAMETER, STRUCTURAL, STRAIGHT GRAINED, OAK

TENONS: 2" THICK BY 4 1/2" "STRUCTURAL" UNLESS OTHERWISE NOTED

BOLTS, DOWELS AND THREADED ROD: ASTM GRADE A307

STEEL ANGLES, PLATES AND FABRICATED CONNECTIONS: ASTM GRADE A36 OR BETTER

PERMANENT GRAVITY, UPLIFT AND LATERAL FORCE RESISTING SYSTEM:

THE TIMBER SYSTEM AS DESCRIBED IN THESE DOCUMENTS AND BEING SUPPLIED BY THIS MANUFACTURER IS DESIGNED TO RESIST PERMANENT, VERTICAL, IN-PLANE LOADS ONLY, AS SPECIFIED ABOVE. IT IS THE RESPONSIBILITY OF OTHERS TO DESIGN AND CONSTRUCT ALL SUPPORTING ELEMENTS, THE PERMANENT LATERAL FORCE RESISTING SYSTEM, PERMANENT BRIDGING AND CONNECTIONS THERETO.

TEMPORARY ERECTION BRACING:

IT IS THE RESPONSIBILITY OF THE ERECTOR OF THE TIMBER SYSTEM TO PROVIDE AND MAINTAIN ANY REQUIRED TEMPORARY LATERAL BRACING OF THE TIMBER SYSTEM UNTIL ERECTION IS COMPLETED.

IT IS THE RESPONSIBILITY OF OTHERS TO PROVIDE AND MAINTAIN ANY REQUIRED TEMPORARY BRACING WHILE THE REMAINDER OF CONSTRUCTION IS COMPLETED AND THE PERMANENT CONNECTIONS FROM THE TIMBER FRAME SYSTEM TO THE LATERAL FORCE RESISTING SYSTEM HAVE BEEN COMPLETED.

PROJECT NUMBER:
06209

DEEP WOODS
TIMBERFRAMED STRUCTURES, LLC
P.O. BOX 665, JEROME, PA 15867
OFFICE: 809 MILLER PARKING RD., DAVENPORT, PA 16828
PHONE: (814) 418-3482
EMAIL: DEEPWOODSTIMBERFRAMEDSTRUCTURES.COM
WEB: WWW.DEEPWOODSTIMBERFRAMEDSTRUCTURES.COM

Professional

Seal

HEAVY TIMBER ENGINEERING
PA PE 050032-E
DAVID RÉMY HOURDEQUIN, P.E.
PHONE: (828) 389-1717 FAX: (828) 389-1919
EMAIL: drh@remy.com
PO BOX 1399 - 46 CHURCH ST. SUITE 13
HAYESVILLE, NC 28904

LAUREL HIGHLANDS FARM
NEW FLORENCE, PENNSYLVANIA

TIMBER FRAME NOTES AND SPECIFICATIONS

DATE:
07-27-2009

SHEET:
TF-1

1 OF 4

Construction notes:
 FF to main timber bearing 13'-6"
 FF to top of bott. chord 18'-7 3/4"
 FF to gable timber bearing 15'-0"

Main Timber Frame - (5) Bents

- (4) Ridge Beams 6x12 (lengths vary)
- (3) Long Splines 1 3/4"x5 1/2"
- (2) Short Splines 1 3/4"x5 1/2"
- (1) Header 6x12

Each Bent

- (2) Rafters 6x12
- (1) Bottom Chord 6x12
- (2) Struts 4x8
- (1) Kingpost 6x10

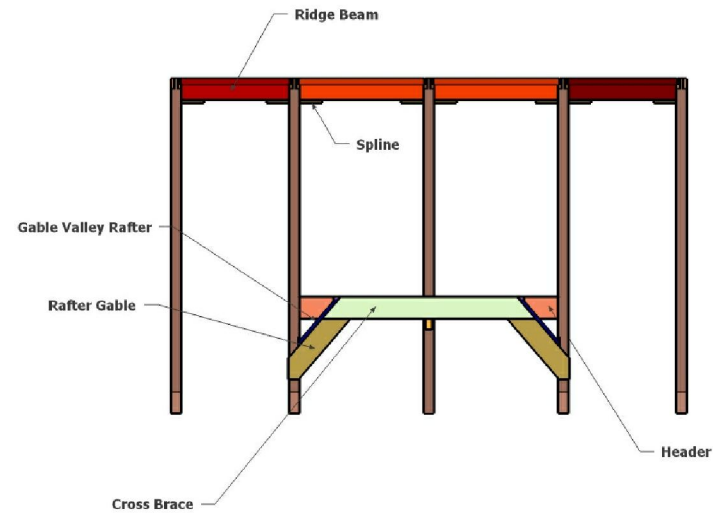
Gable Timber Frame - (2) Bents

- (2) Gable Valley Rafters 6x12

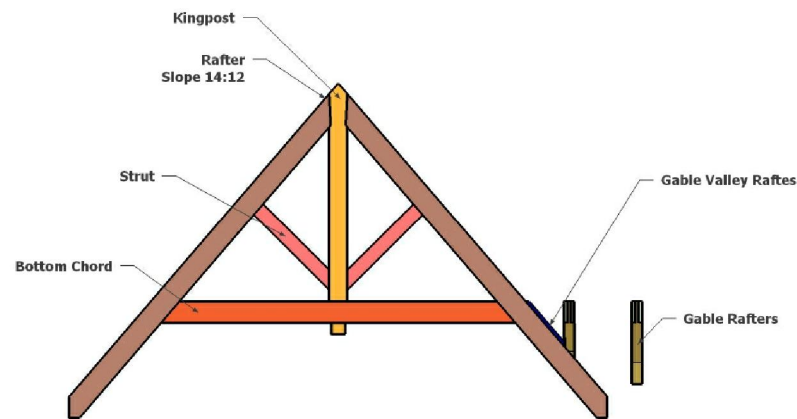
Each Bent

- (2) Rafters 6x12
- (1) Cross Brace 6x12

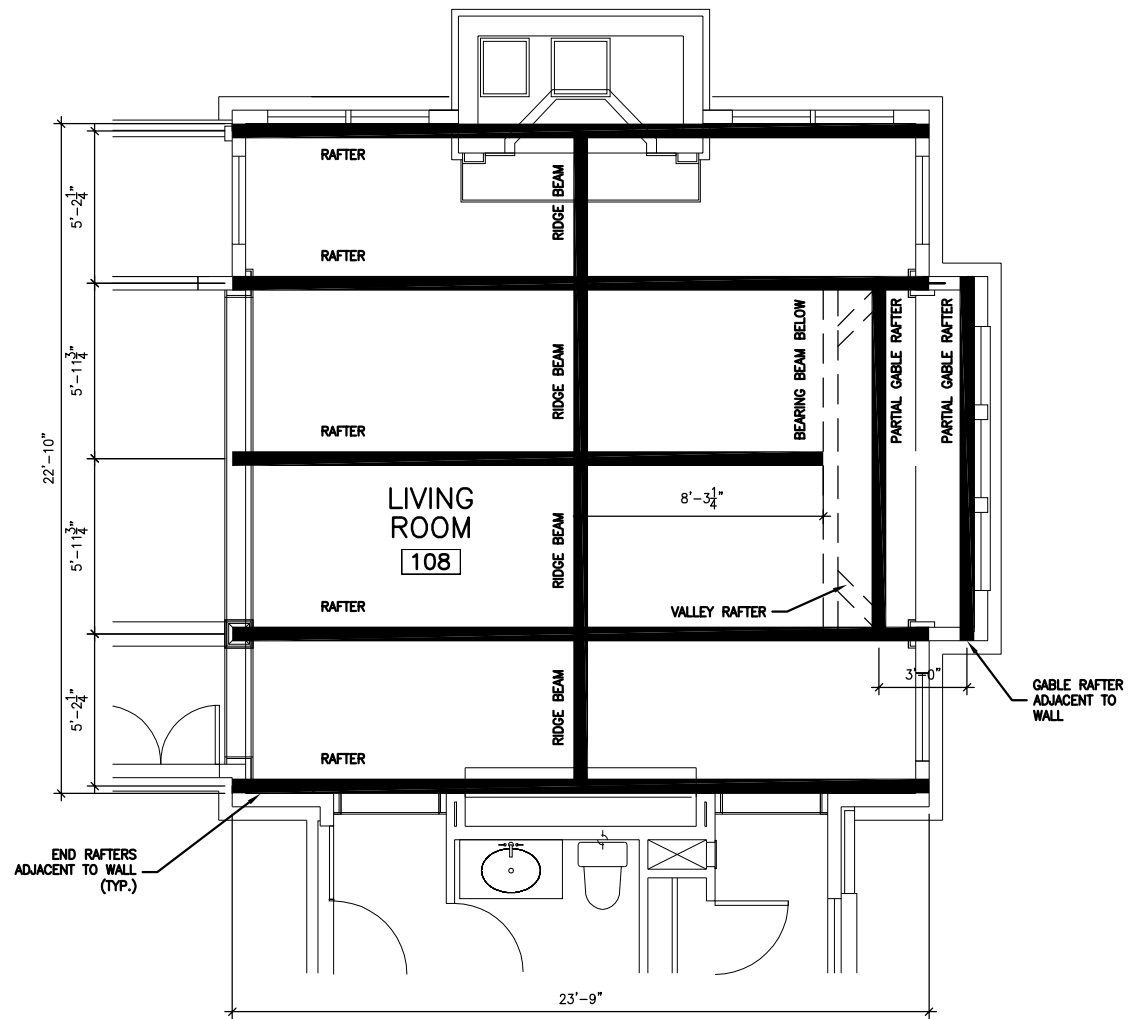
Total Pieces (48)



TIMBER FRAME GABLE VIEW
 SCALE: N.T.S.



TIMBER FRAME BENT VIEW
 SCALE: N.T.S.



ARCHITECTURAL PLAN
 SCALE: 1/4" = 1'-0"

PROJECT NUMBER:
06209

DEEP WOODS
TIMBERFRAMED STRUCTURES, LLC
 P.O. BOX 666, JEROME, PA 15867
 OFFICE: 809 MILLER PICKING RD., DAVENPORT, PA 16828
 PHONE: (814) 418-3482
 EMAIL: DEEPWOODSTIMBERFRAMING@GMAIL.COM
 WEB: WWW.DEEPWOODSTIMBERFRAME.COM

Professional

seal

HEAVY TIMBER ENGINEERING
 PA PE 050032-E
DAVID RÉMY HOURDEQUIN, P.E.
 PHONE: (828) 389-1717 FAX: (828) 389-1919
 EMAIL: drh@remy.com
 PO BOX 1399 - 46 CHURCH ST. SUITE 13
 HAYESVILLE, NC 28904

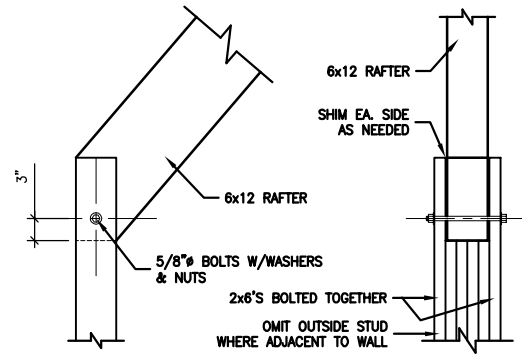
LAUREL HIGHLANDS FARM
NEW FLORENCE, PENNSYLVANIA

TIMBER FRAME PLANS AND DETAILS

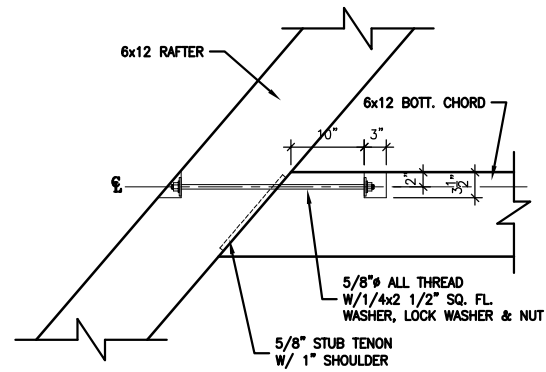
DATE:
07-27-2009

SHEET:
TF-2

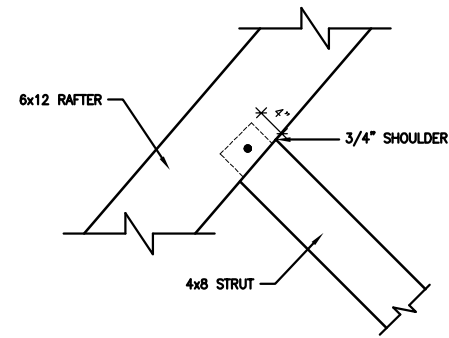
2 OF **4**



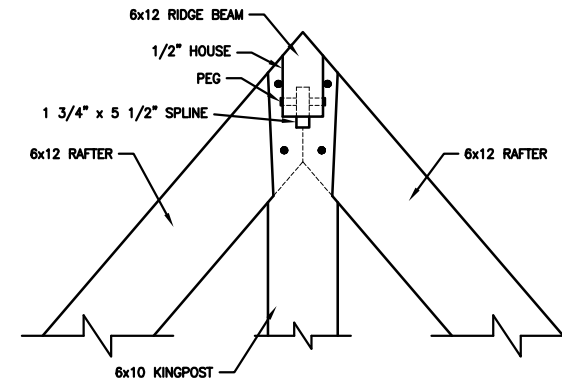
TC-01 MAIN RAFTER SUPPORT
SCALE: 3/4" = 1'-0"



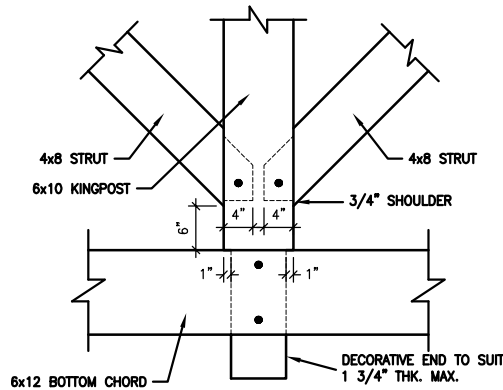
TC-02 BOTTOM CHORD
SCALE: 3/4" = 1'-0"



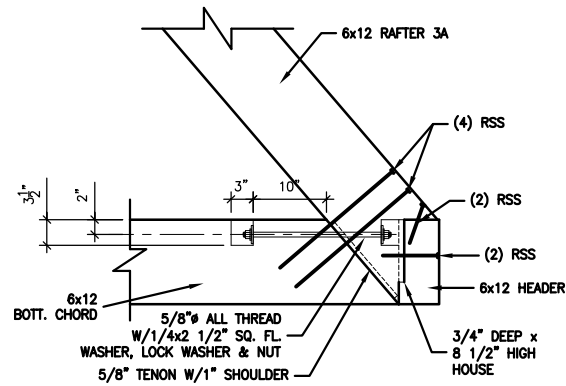
TC-03 STRUT
SCALE: 3/4" = 1'-0"



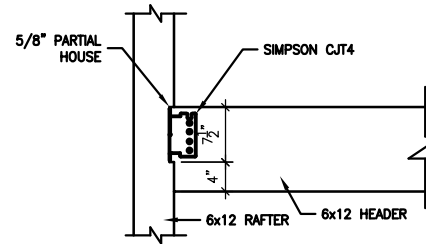
TC-04 UPPER KINGPOST
SCALE: 3/4" = 1'-0"



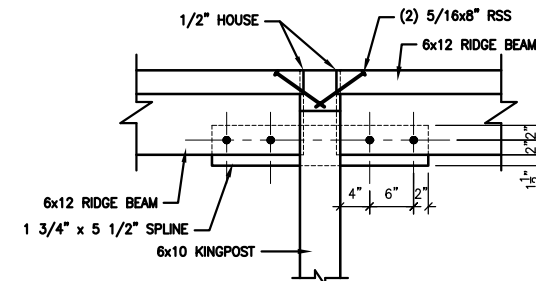
TC-05 LOWER KINGPOST
SCALE: 3/4" = 1'-0"



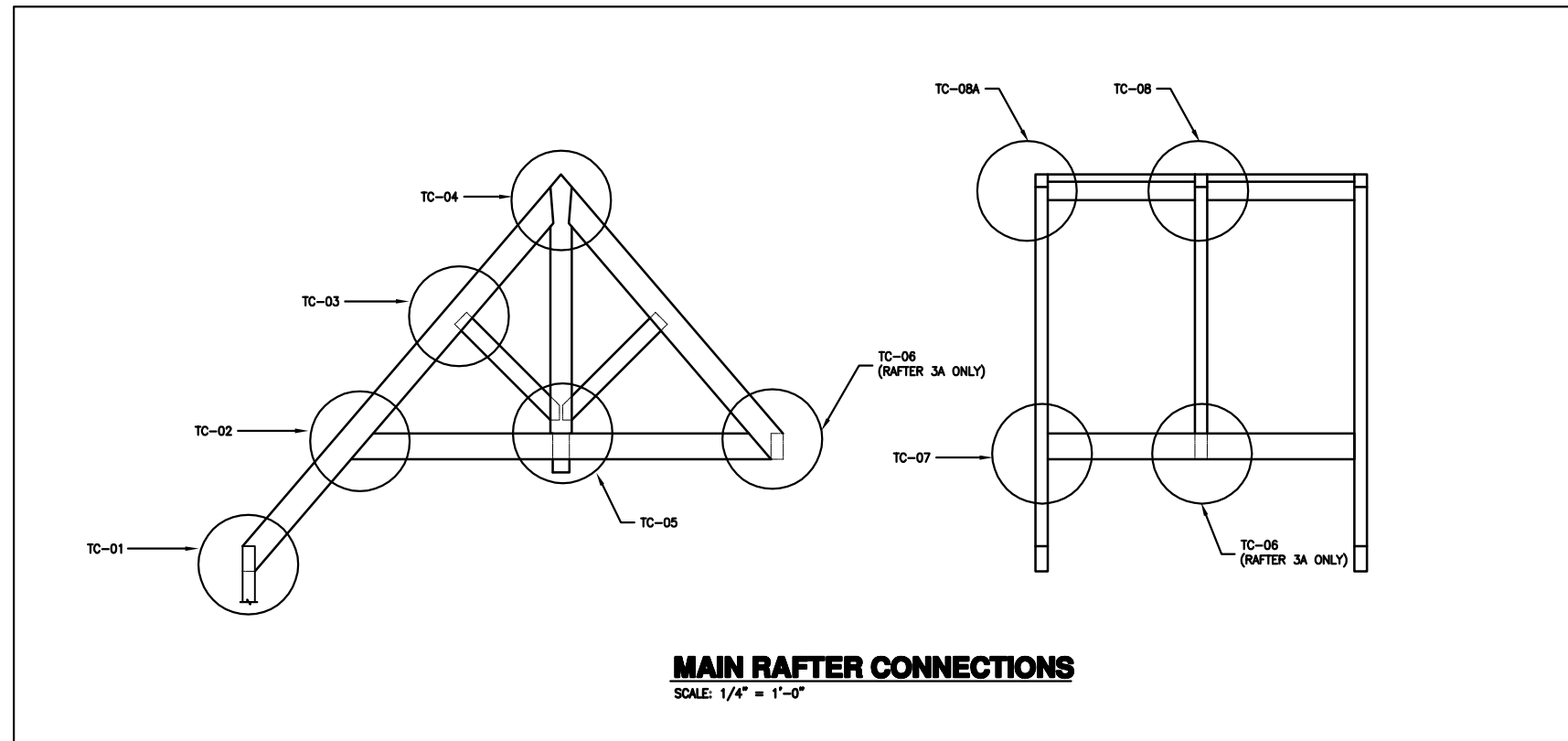
TC-06 RAFTER 3A
SCALE: 3/4" = 1'-0"



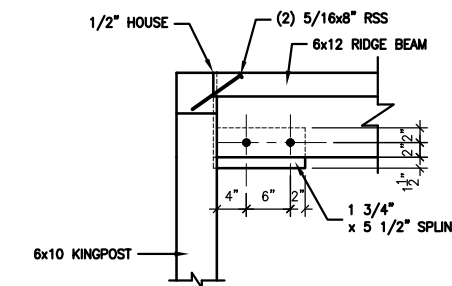
TC-07 HEADER
SCALE: 3/4" = 1'-0"



TC-08 RIDGE BEAM
SCALE: 3/4" = 1'-0"



MAIN RAFTER CONNECTIONS
SCALE: 1/4" = 1'-0"



TC-08A RIDGE BEAM END
SCALE: 3/4" = 1'-0"

PROJECT NUMBER:
06209

DEEP WOODS
TIMBERFRAMED STRUCTURES, LLC
P.O. BOX 666, JEROME, PA 15867
OFFICE: 809 MILLER PICKING RD., DAVENPORT, PA 15628
PHONE: (814) 418-3482
EMAIL: DEEPWOODSTIMBERFRAMEDSTRUCTURES.COM
WEB: WWW.DEEPWOODSTIMBERFRAME.COM

Professional

seal

HEAVY TIMBER ENGINEERING
PA PE 050032-E
DAVID REMY HOURDEQUIN, P.E.
PHONE: (828) 389-1717 FAX: (828) 389-1919
EMAIL: drh@remy.com
PO BOX 1399 - 46 CHURCH ST. SUITE 13
HAYESVILLE, NC 28904

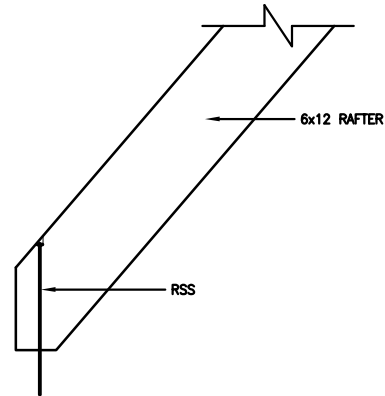
LAUREL HIGHLANDS FARM
NEW FLORENCE, PENNSYLVANIA

MAIN RAFTER CONNECTION DETAILS

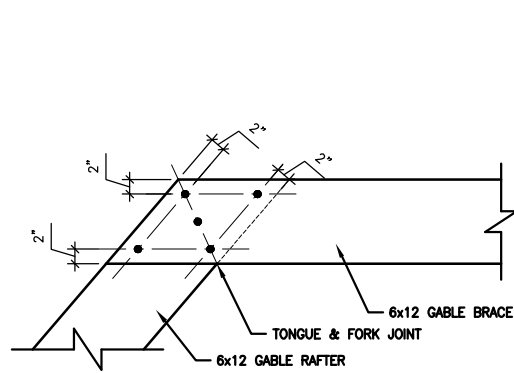
DATE: 07-27-2009

SHEET: TF-3

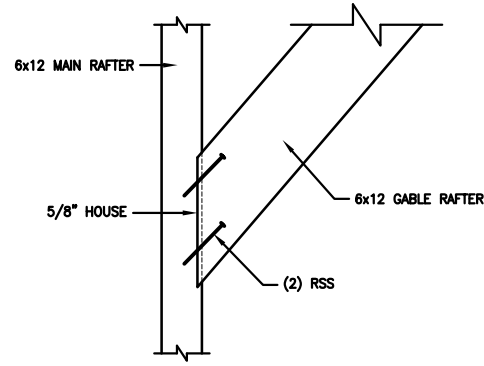
3 OF 4



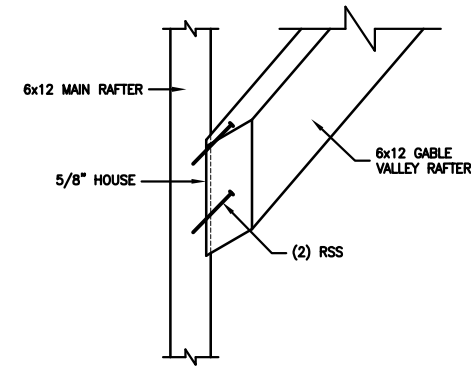
TC-09 GABLE RAFTER SUPPORT
SCALE: 3/4" = 1'-0"



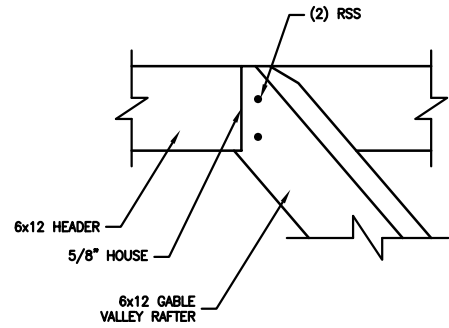
TC-10 GABLE CROSS BRACE
SCALE: 3/4" = 1'-0"



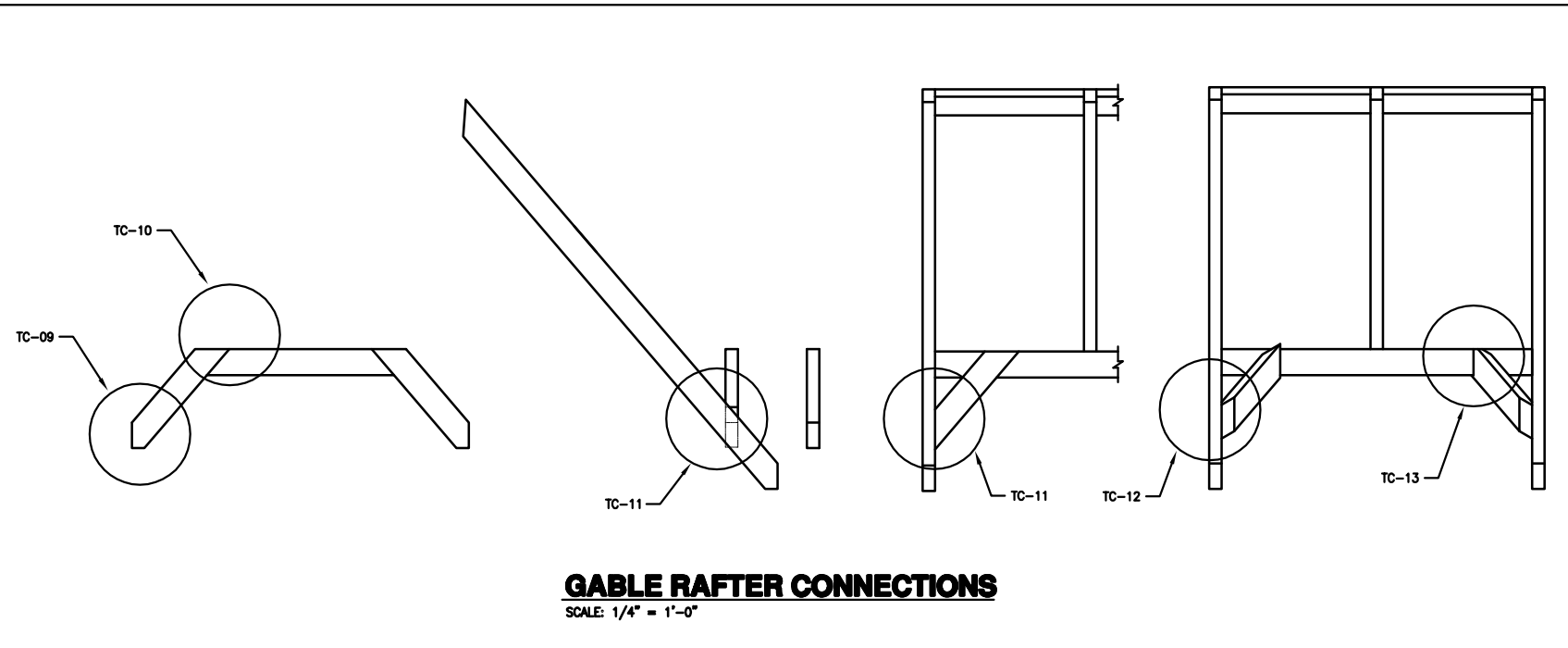
TC-11 GABLE RAFTER
SCALE: 3/4" = 1'-0"



TC-12 VALLEY RAFTER
SCALE: 3/4" = 1'-0"



TC-13 VALLEY RAFTER
SCALE: 3/4" = 1'-0"



GABLE RAFTER CONNECTIONS
SCALE: 1/4" = 1'-0"

PROJECT NUMBER:
06209

**DEEP WOODS
TIMBERFRAMED STRUCTURES, LLC**
P.O. BOX 665, JEROME, PA 15867
OFFICE: 809 MILLER PICKING RD., DAVENPORT, PA 16828
PHONE: (814) 418-3482
EMAIL: DEEPWOODSTIMBERFRAMEDSTRUCTURES.COM
WEB: WWW.DEEPWOODSTIMBERFRAME.COM

Professional

seal

HEAVY TIMBER ENGINEERING
PA PE 050032-E
DAVID RÉMY HOURDEQUIN, P.E.
PHONE: (828) 389-1717 FAX: (828) 389-1919
EMAIL: dr@drremy.com
PO BOX 1399 - 46 CHURCH ST. SUITE 13
HAYESVILLE, NC 28904

**LAUREL HIGHLANDS FARM
NEW FLORENCE, PENNSYLVANIA**

GABLE RAFTER CONNECTION DETAILS

DATE:
07-27-2009

SHEET:
TF-4

4 OF **4**